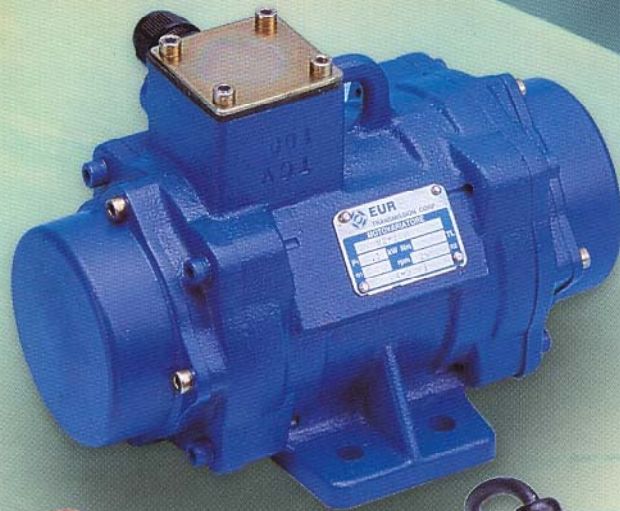




EUR
TRANSMISSION CORP.

振動馬達

VIBRATING MOTORS



前言

振動馬達是所有振動機械的動力源，藉由馬達之振動使機體上之容器產生共振；容器內所盛裝之微小物體將依不同之安裝角度、振幅調整、振動頻率選擇等，產生所需方向與角度均勻的位移，以達到輸送、充填、篩選、乾燥輸送...等目的。

A vibrating motor is the vibration power source for the vibration machines.

The container attached to the machine will vibrate together with the motor and the many micro matters filled in the container will move evenly in according to different installation angle, amplitude adjustment, vibration frequency selection etc.

toward a required direction and angle. for the purpose of shipping, filling, selection, drying transfer etc.

產品特點：

機體：

振動馬達機體採全自動鑄鋼設備鑄造而成。外型嶄新、美觀，為符合振動馬達所需之高頻率振動需求，機體全部採用球狀石墨鑄鐵鑄造，保證不斷裂。

線圈：

馬達線圈採用H級漆包線耐振固定處理。並在以高溫耐熱電源線，另附加橡膠圈套固定。

主軸：

馬達運轉時，振葉高速離心運轉，產生極大離心負荷，除高安全性之設計外，並採用堅固之鋼材製成，安全性極高。

軸承：

振動馬達係屬高頻率振動之產品，運轉時需有極精密且堅固之組合設計，本機配裝使用耐高溫、高速、壽命長、換裝容易之軸承。

偏心振葉：

安裝時藉由兩側振葉不同角度之調整，可選擇適當之振動力源。此乃利用高品質之球狀石墨鑄鐵鑄造而成，於調整振葉時無斷裂之虞。

耐用之性能：

全密閉構造，防塵、防水、防油效果奇佳、高效率之散熱設計、減少風損、節約能源、高分子樹脂絕緣、耐力無比、在惡劣工作環境中亦能勝任。

高效率之品質：

優良的產品設計、高品質的材料選擇，標準化的零件加工，經精密儀器檢驗、精密度高、使用壽命長、零件維修容易。

PRODUCT CHARACTERISTIC：

FRAME：

The frame is casted by the fully automatic steel casting equipment, precise, modern and elegant construction. Owing to the requirement for the high frequency vibration of motor, the high quality frame is made of the FCD-40 and features broken-free performance.

COIL：

The coated H-class coil is fully anti-vibration treated. Due to getting rid of coil broken, the anti-high temperature and heat extension cord is designed to connect with coil as well as a rubber ring shall be fixed on the cord outlet.

ROTATING SHAFT：

When the motor operates, vibrating vanes provide outstanding resistance for loading. Owing to safety consideration, not only the rotating shaft in high safety factors and conditions but it is made of high strength steel.

BEARING：

The motor is durable for vibration. When in installation, take care of using anti-high temperature, velocity, long service life of bearings which are easy to replace may extend the life of the motor.

ECCENTRIC VIBRATING VANE：

Manufactured from high quality of FCD-40. It needs to adjust until a proper vibrating force is obtained, then fix it at both ends.

MAXIMUM DURABILITY：

Enclosed types design for dust, water and oil free performance. High efficiency cooling performance reduces air waste to the minimum and saving energy. Resin insulation permits this unit applied at any working environment.

HIGH EFFICIENCY AND QUALITY：

The motor is computer-aided designed, and precision manufactured by the latest automatic machinery. The products provide the best selection choice and conditions, such as excellent design, high quality material selection, standard manufacturing process, rigorous inspection, high accuracy, long service life, easy replacement as well as repair parts etc.

振動馬達已受到產業界極為廣泛之應用，依其作用原理及使用目的有所分類，並因產業性質互異，自然有其不同頻率之選擇，例舉部份以供參考。

- 充填 混凝土 / 電池工廠 / 金屬彎管
- 轉壓 振動滾筒 / 泥土壓縮
- 流出 產金界的漏斗振動用
- 選別 篩選物料大小
- 振動台 各種振動台 / 鑄物砂抖落
- 搬運 振動運輸帶
- 乾燥輸送 砂石機械 / 混凝土機械 / 集塵機械

二極適用範圍：

1. 高架、橋樑、隧道、捷運、下水道等土木工程之水泥外模振動。
2. 儲料桶槽及下料管道之防堵塞振動。
3. 油漆、樹脂類製品之振動氣泡消除。
4. 電子、電腦、通訊器材等非破壞性振動試驗設備。
5. 粉體、稜粒包裝時，落實包裝容器之振動。
6. 空氣污染防治設備之集塵管路、桶槽粉塵振落。

四級適用範圍：

1. 中小容量之送料機振動。
2. 四公尺長以下之中短距離振動輸送。
3. 共振式之雙馬達脫水振動。
4. 八十公分寬以下之中小型振動篩選。
5. 液態振動過濾設備，污泥及紙漿均適用。
6. 空氣污染防治設備之集塵管路、桶槽粉塵振落。

六級適用範圍：

1. 鑄造廠鑄件用之長距離振動輸送機。
2. 食品用之振動清洗及乾燥脫水。
3. 洋菇、香菇之大小分類振動篩選。
4. 地震模擬振動。
5. 遠距離集料振動輸送。
6. 電鍍設備之慢速輸送。

八級適用範圍：

1. 鑄造廠振動解模設備。
2. 鑄造用砂回收振動冷卻設備。
3. 塑膠、聚脂粒振動篩選。
4. 食品、化學藥品振動篩選設備。
5. 中大型儲槽架橋堆積之振動出料。
6. 中大型之振動清洗機。

The vibrating motor is widely applied for a extensive variety of industry. On account of action principle, purpose category as well as different industrial characteristic, we have to select the different frequency motor what we need, such as filling, compression, flow, selection, and delivery ect.

- **FILLING:** concrete, battery factory, metal pipe bending.
- **COMPRESSION:** vibrating roller, soil compression.
- **FLOW:** hopper vibration for selecting the part size in gold production.
- **SELECTION:** for screening material size.
- **VIBRATION STAND:** various vibrating stands, removing sands on casting.
- **TRANSPORTATION:** vibrating conveyor.
- **DRYING DELIVERY:** sandstone machinery, cement machinery, dust collecting equipments.

APPLICATIONS FOR 2-POLE:

1. For vibration of cement outer mold in civil engineering, such as bridge, channel wall, sewer cover, cement products for fast transportaton system etc.
2. A vibration to prevent material jam for loader and feeder.
3. A vibration to remove bulbs for resin products.
4. Non-destroy vibration test for electronic and computer industry, such as computer and its ancillary equipments, television, audio devices, cordless telephone etc.
5. Vibrating filling for powder and grit to ensure full loading into the antainer.
6. Dust collector for air-prevention, such as knock down the dust on collection pipes, as well as feeder.

APPLICATIONS FOR 4-POLE:

1. Small and medium capacity of vibrating feeder.
2. Short and medium distance of vibrating conveyor, the better distance of delivery is suggested under 4 meters.
3. Double motors resonate vibration for water removing.
4. Small and medium model of vibrating selecting machines, suggested width is under 800 mm.
5. Liquid vibrating filter, such as mud and pulp.
6. Dust collector for air-prevention, such as knock down the dust on collection pipes, as well as feeder.

APPLICATIONS FOR 6-POLE:

1. Long distance feeder in casting factory.
2. Vibrating washer, drying and water removing machine for foodstuff.
3. For selecting the mushroom outside dimensions.
4. Earthquake simulation machine.
5. Vibrating conveyor for long distance collection.
6. Low speed vibrating feeder for plating.

APPLICATIONS FOR 8-POLE:

1. Vibrating mold dismentle in casting factory.
2. Vibrating cooling for sand collection in casting factory.
3. Vibrating selecting machine for plastic and polyester grit.
4. Vibrating selecting machine for foodstuff, chemicals.
5. Vibrating outfeed for medium and heavy storage tank.
6. Medium and heavy model of vibrating washer.

性能規格選擇表 SPECIFICATIONS

二極 2 Pole

型式 Types	振動力 Vibrating force (Kg)	馬力 Horse power (Hp)	振動頻率 Vibrating frequency 50/60Hz (vpm)	重量 Weight (Kg)
V205	85	1/10	2900/3450	3
V210	100	1/8	2900/3450	11
V220	200	1/4	2900/3450	17.5
V230	350	1/3	2900/3450	19
V240	650	1/2	2900/3450	32
V250	1000	1	2900/3450	49

六極 6 Pole

型式 Types	振動力 Vibrating force (Kg)	馬力 Horse power (Hp)	振動頻率 Vibrating frequency 50/60Hz (vpm)	重量 Weight (Kg)
V650	500	1/3	950/1120	49
V660	1000	1/2	950/1120	83
V665	1600	1	950/1120	105
V670	2500	2	950/1120	160
V680	4200	3	950/1120	235
V690	6000	5	950/1120	360

馬達振動力調整：

振動馬達之動力源來自於馬達兩側之偏心振葉，藉由軸端之兩片振葉（一片為固定振葉、一片為調整振葉）之夾角大小調整而產生不同的離心力。適當的夾角調整，選擇所需之振動力，將使你得到最有效的應用。

安裝調整注意事項：

1. 調整振動葉片後，必需確認調整螺絲已完全旋緊，以防振葉高速運轉彈出破壞設備及工作人員之危險。
2. 常使用下應隨時注意腳架固定螺絲是否有鬆脫現象，並檢查延長出口線是否固定。
3. 選擇馬達基座，須考慮基座張力強度是否足夠，以避免設備遭受破壞。

MOTOR VIBRATING FORCE ADJUSTMENT :

The power source of vibrating motor produces from both lateral vibrating vanes.

The eccentric force can be adjusted by the angle between the two vibrating vanes.

(One fixed, the other one is adjustable)

After getting the proper angle adjustment and required vibrating force then you will be obtained the most efficient application.

四極 4 Pole

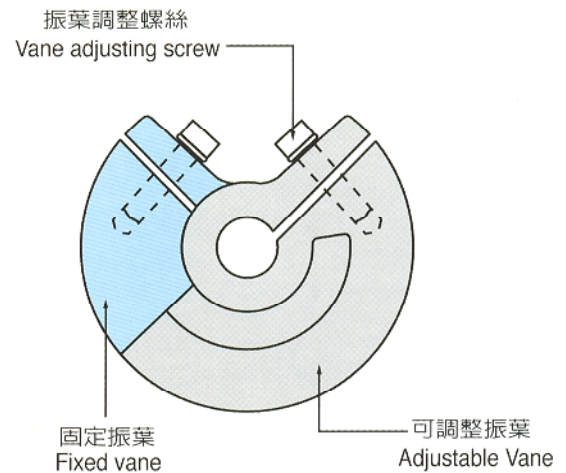
型式 Types	振動力 Vibrating force (Kg)	馬力 Horse power (Hp)	振動頻率 Vibrating frequency 50/60Hz (vpm)	重量 Weight (Kg)
V420	100	1/8	1450/1720	17.5
V430	250	1/6	1450/1720	19
V440	500	1/4	1450/1720	32
V450	800	1/2	1450/1720	49
V460	1600	1	1450/1720	83
V470	3200	2	1450/1720	160
V480	5000	3	1450/1720	235
V490	7500	5	1450/1720	360

八極 8 Pole

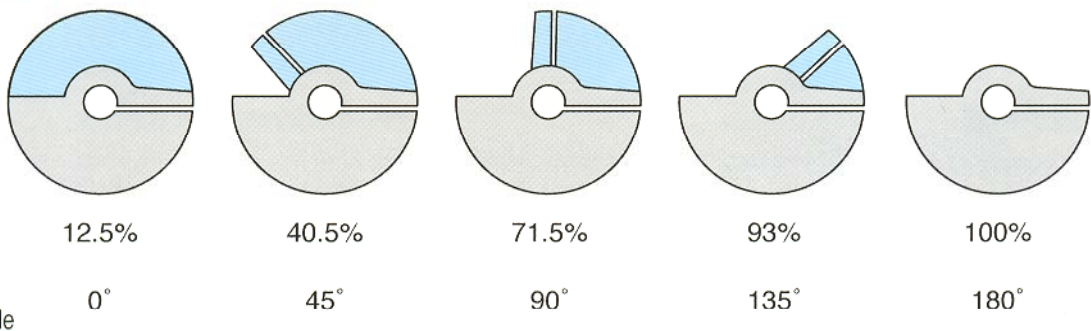
型式 Types	振動力 Vibrating force (Kg)	馬力 Horse power (Hp)	振動頻率 Vibrating frequency 50/60Hz (vpm)	重量 Weight (Kg)
V850	300	1/4	720/850	49
V860	500	1/2	720/850	83
V870	1000	1	720/850	160
V880	2000	2	720/850	235
V890	3000	3	720/850	360

INSTRUCTIONS FOR INSTALLATION :

1. Before and after the adjustment of the vibrating force, always remember to tighten the adjustment screws securely to prevent the jumping the adjusting screws.
2. Always make sure the screws that tighten the mounting bracket and extension wires are fixed securely.
3. When selecting the motor base, make sure it is strong enough to avoid damage on the motor frame.

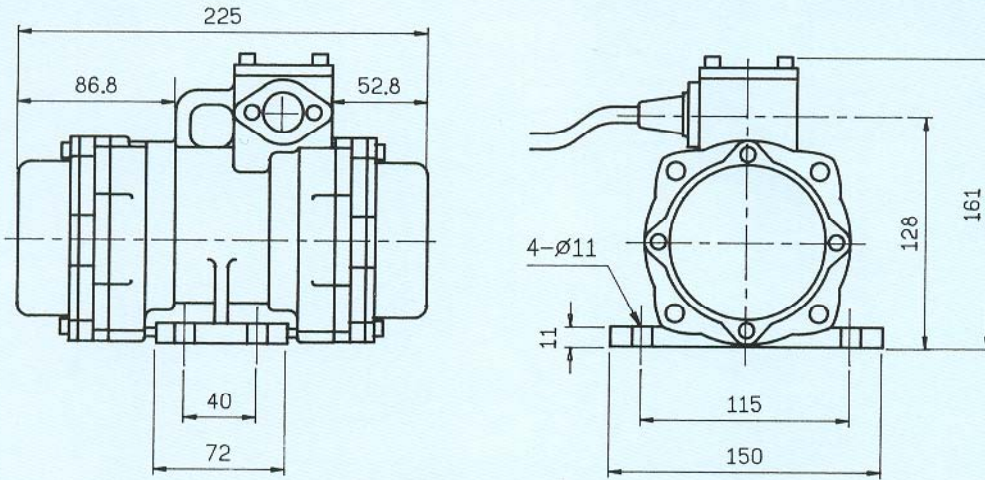


ANGLE AND ECCENTRIC FORCE 角度與離心力

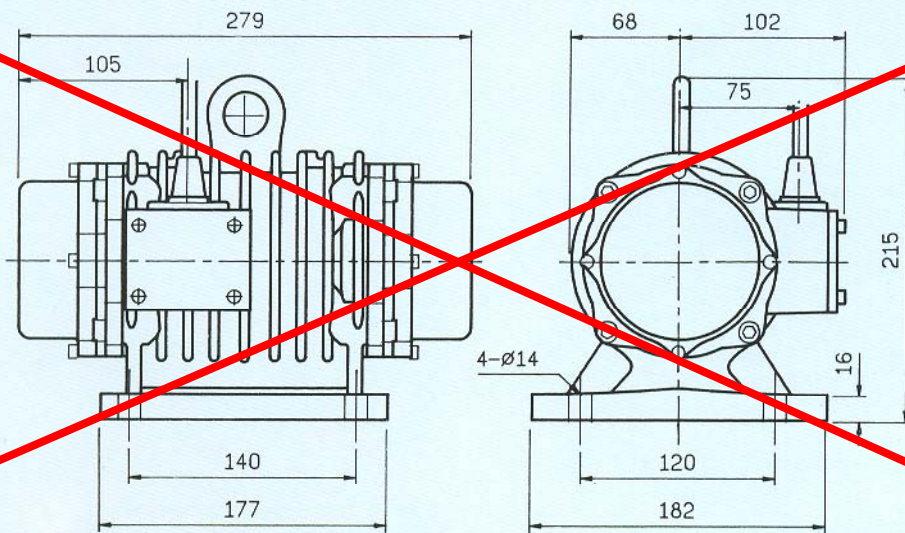


尺寸圖 DIMENSION

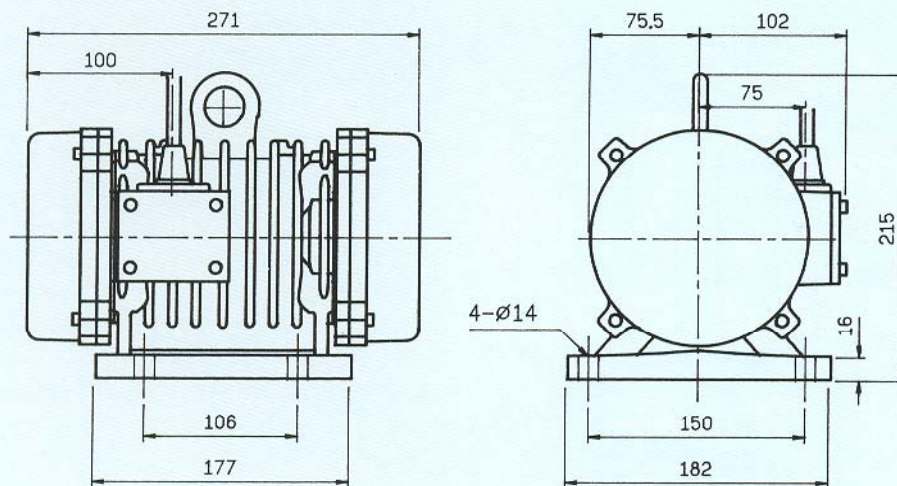
TYPE V.10



~~TYPE V.20~~

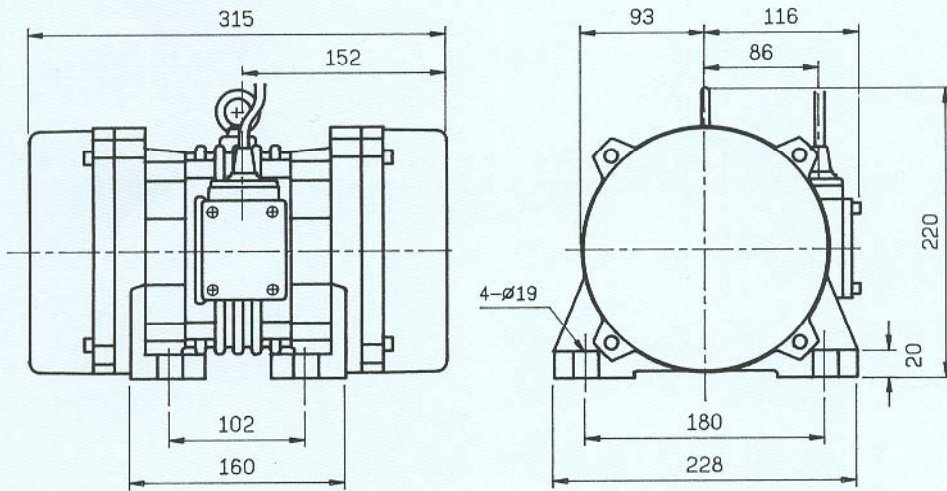


TYPE V.30
V.20

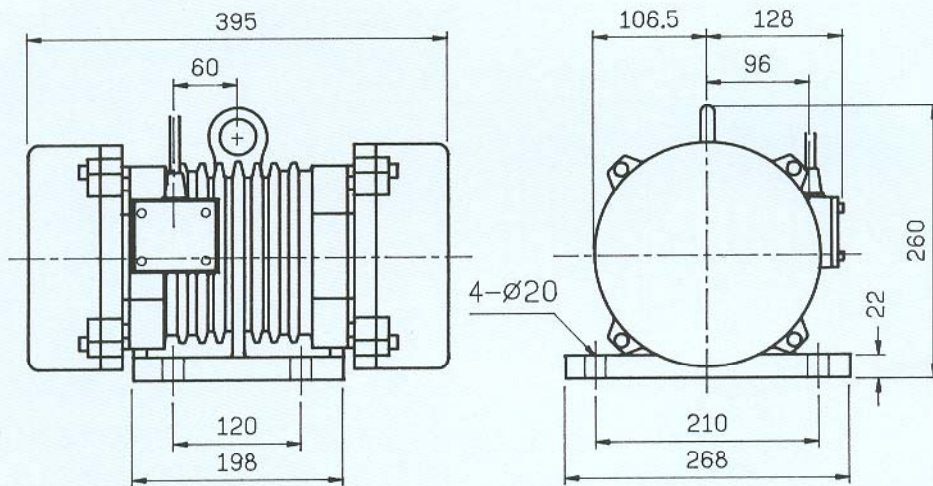


尺寸圖 DIMENSION

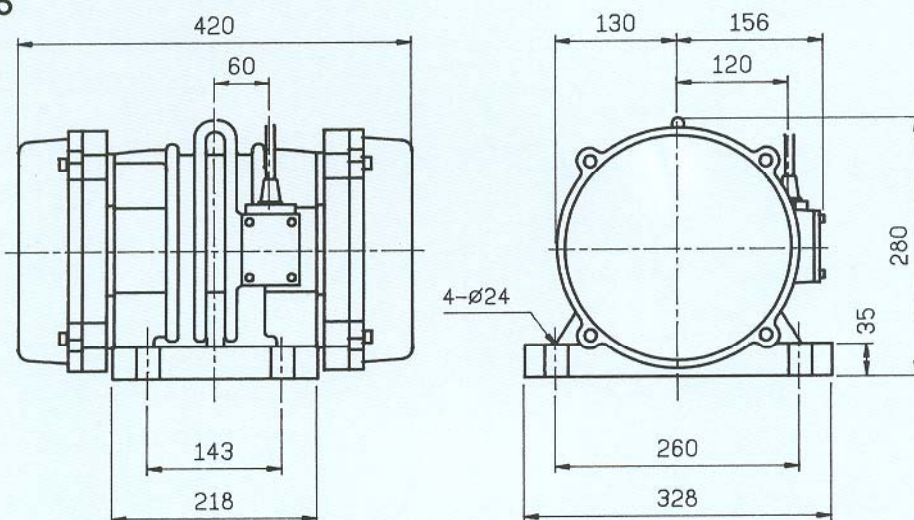
TYPE V.40



TYPE V.50

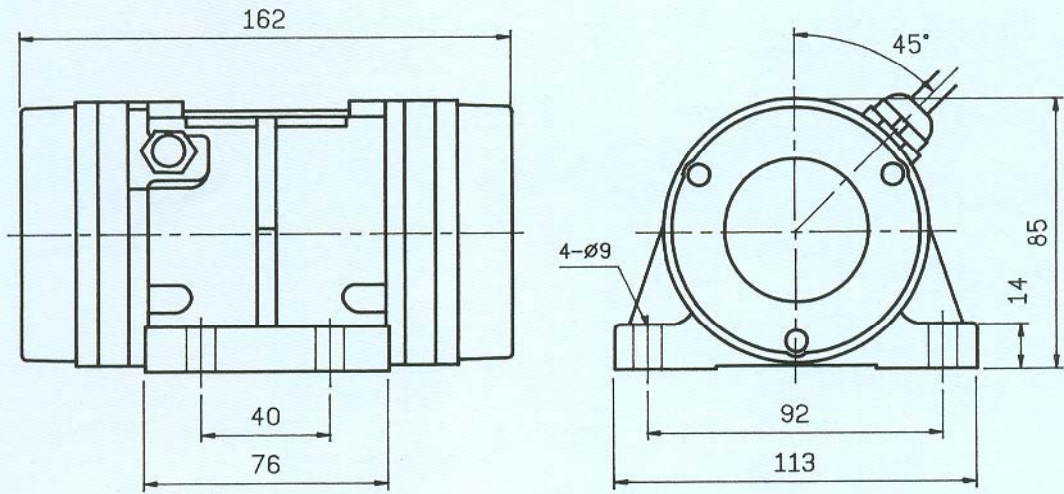


TYPE V.60 .65



尺寸圖 DIMENSION

TYPE V.05



VOLTAGE:

SINGLE PHASE : 110, 220 (單相)

THREE PHASE : 220, 380, 415, 440 (三相)



摩托迪克股份有限公司

業務部及倉庫：桃園縣龜山工業區興業路27號
電話：(03)319-1666 傳真：(03)320-8180

EUR TRANSMISSION CORP.

27.Hsin Yeh Road Kueishan Industrial Zone.
Taoyuan Hsien. 333 Taiwan.
Tel : 886-3-3191666 Fax : 886-3-3195999
Mobile : 886-935018013